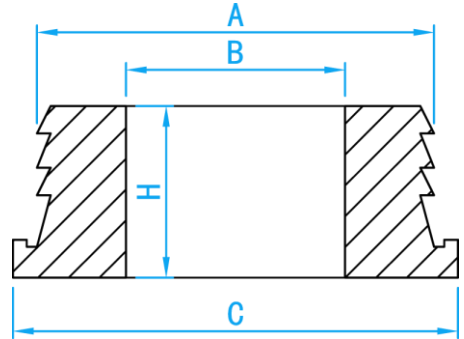
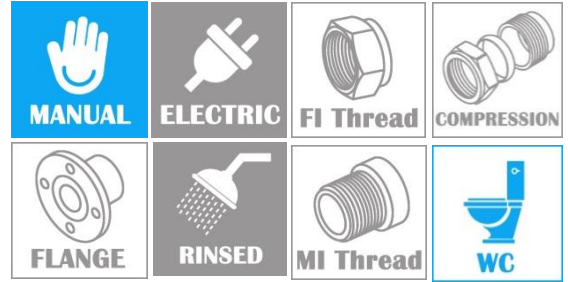


RUBBER BUSH FOR WC



CROSS SECTIONAL VIEW

STANDARD SPECIFICATIONS

Temperature	80°C
Hardness	60±5

DIMENSIONS

SKU	MATERIAL	A (mm)	B (mm)	C (mm)	H (mm)	WEIGHT (kg)	PCS/CTN
RBWC6032	Rubber	58	32	65	25	0.063	200
RBWC6038	Rubber	57.5	37	65	26	0.052	200